



# GRAINTEC INDUSTRIES

## CHAKKI



**Graintec** offering a wide range Dal Chakki, this is used in pulses split the offered machines are manufactured using the best quality components, strongly built, impeccable performance, longer operational life and progressive technology in line with industry norms.

To cater the needs of our valuable clients, these machines are availed in varied sizes and designs.

# CHAKKI

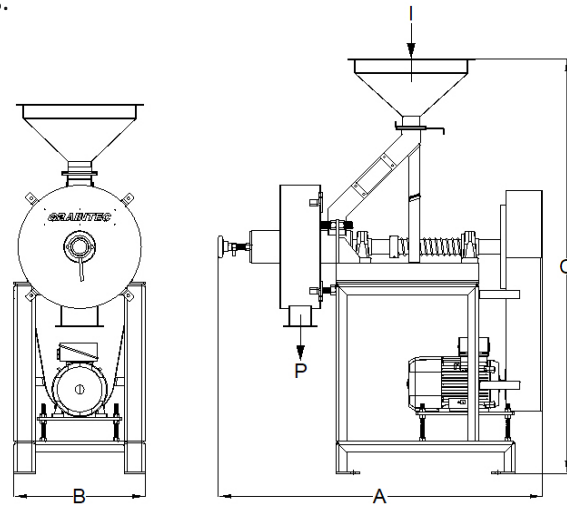
## Benefits:

The Chakki Machine is a game-changer for them who want to process pulses efficiently and increase their productivity. Here are some of the benefits of using this machine:

**Time-saving:** The machine can process pulses quickly and efficiently, reducing preprocessing time and labor costs.

**Cost-effectiveness:** The machine is priced affordably, making it accessible to small-scale farmers and entrepreneurs who want to invest in their business.

**Minimal maintenance:** The machine requires minimal maintenance and is designed to withstand rugged use in challenging environments.



NOTE:  
I - PRODUCT INLET  
P - PRODUCT OUTLET

TECHNICAL SPECIFICATIONS		
MACHINE TYPE	GCKA	
CAPACITY (TPH)	2	
MOTOR POWER - HP / kW	2 / 1.5	
MOTOR SPEED - POLE / RPM	6 / 940	
VOLTAGE (V) / FREQUENCY (Hz)	415 / 50	
MACHINE WEIGHT (Kg)	185	
SIZE (mm)	A	1190
	B	468
	C	1480

All Graintec products are subject to continuous development and as a result, their specification may change and differ from the above mentioned.

## Graintec Industries.

Survey no. 101, Kachohalli, Lakshmipura Post, Dasanapura Hobli,  
Bengaluru - 560 091, Karnataka, India.

Ph: 080-2977 5848 / 6848

[www.graintecindustries.com](http://www.graintecindustries.com)



# GRAINTEC INDUSTRIES

ISO 9001 : 2015